

RELIANCE

20L Rel-i-Pak (655/665)

06553000 / 06654000 Mold Number(s): 500

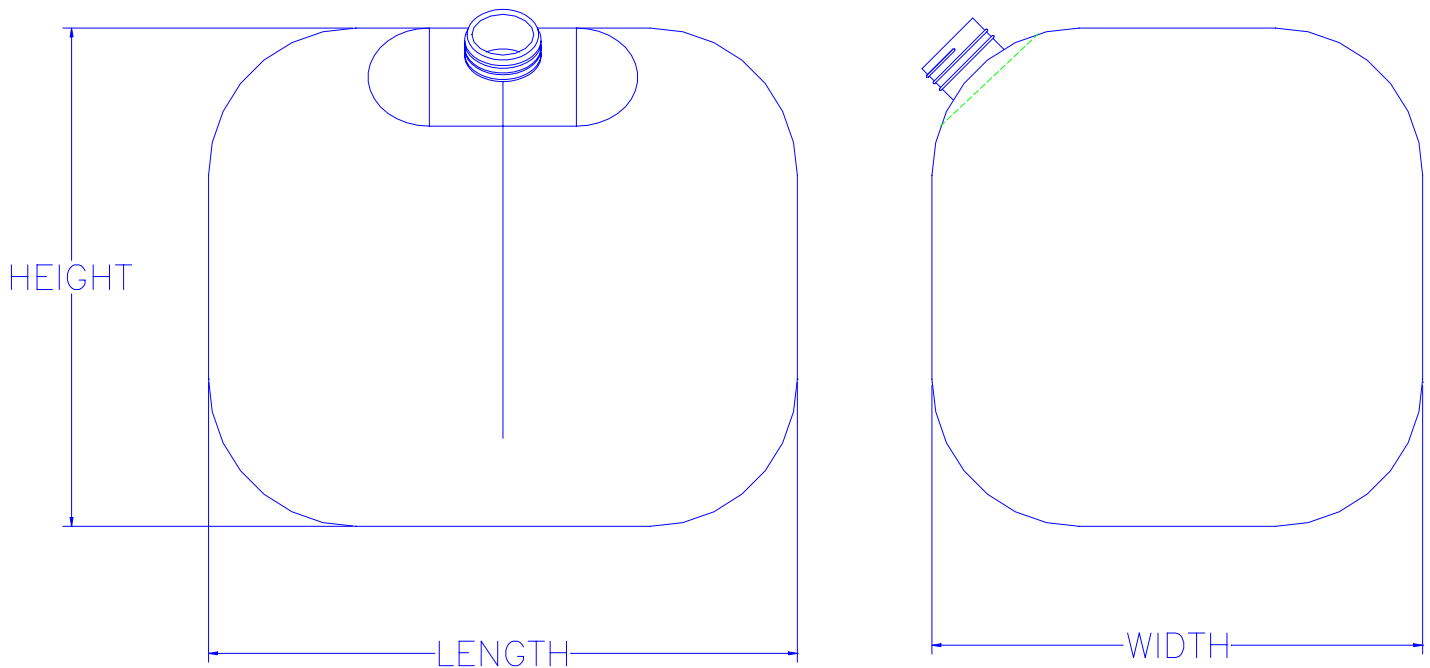
A 20L collapsible container made of natural Low Density Polyethylene. This container is highly resistant to environmental stress cracking and damage due to repeated flexing and impact. Shipped to you in a highly compact format, this package saves shipping costs and reduces the amount of storage and warehouse space required. When used in conjunction with an exterior carton, this package makes an ideal shipping container for a variety of products.

PERFORMANCE SPECIFICATIONS

- No objection status for food contact applications from the Health Protection Branch in Canada and compliance for use in food contact applications by the Food and Drug Administration in the United States.

DIMENSIONS

Capacity	Rated	20.0L	Overflow (to top of neck)	21.4L minimum
Weight	Container Only	230.0g ± 10.0g		
Dimensions of Cube	Length x Width x Height	11.3" x 11.3" x 11.3"	Minimum Wall Thickness	0.010"



Approved By Leah Friesen

SPECIAL FEATURES

- Neck Finishes The 655 series container has a 38mm neck designed for SP 430 cap. There is an undercut to the neck finish to aid in the filling operation.
 The 665 series container has a custom 40mm neck finish for use with Reliance’s hose assembly. The hose assemblies are supplied with the containers and are great for directional pouring of numerous chemicals.
- Outer Carton Reliance Products L.P. can provide you with a stock 350# 51 ECT test BC-flute doublewall carton to fit this collapsible. The cartons are shipped to you collapsed to save transportation costs and are easily erected at your facility. To order, reference Reliance product code 00049811.

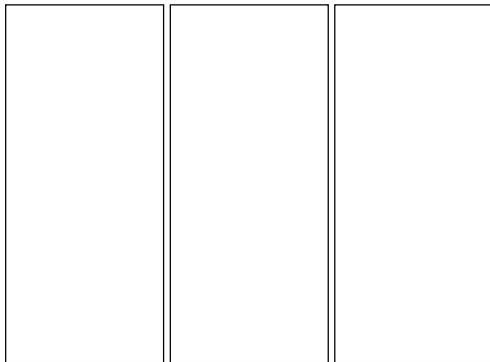
FILLING AND STACKING RECOMMENDATIONS

- Compatibility of the container with the fill product is the responsibility of the filler.
- Fill with container in carton.
- Contents should not exceed 70°C (158°F) at time of fill.
- Filled containers should not be stacked and stored above 50°C (122°F).
- Filled containers, in double wall cartons, may be stacked 5 high for most commodities.

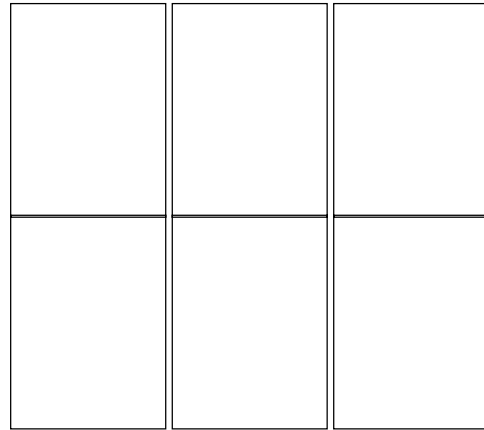
PACKAGING AND SHIPPING DATA

Quantity Per Carton	<u>Bulk</u>
Cartons Per Pallet	75 pieces
Packaged Carton Weight	6
Carton Dimensions (L x W x H)	43.6 lbs. 54.1 lbs with hose assy.
Carton Volume (Cubic Feet)	39.39” x 14.86” x 31.73”
	10.8

Palletized cartons are secured with stretch wrap.



Top View of Pallet



Side View of Pallet

WARRANTY

Reliance Products L.P. warrants product to meet the above specifications and to be free from defect in workmanship and materials at time of shipment. Liability is limited to the replacement cost of the containers purchased.

PRODUCT RANGE

Reliance Products L.P. has many decades of experience manufacturing a wide range of both injection and blow moulded plastic shipping containers, including:

Bottles	1L to 23L	Tighthead Containers	10L to 23L
Pails	4L to 23L	Collapsible Containers	10L to 25L

Call us for all of your related packaging needs