

RELIANCE

20L Cube With Vertical Fold

0690 series

Mold Number(s): 503

A 20L collapsible container made of natural Low Density Polyethylene. This container is highly resistant to environmental stress cracking and damage due to repeated flexing and impact. Shipped to you in a highly compact format, this package saves shipping costs and reduces the amount of storage and warehouse space required. When used in conjunction with an exterior carton, this package makes an ideal shipping container for a variety of products.

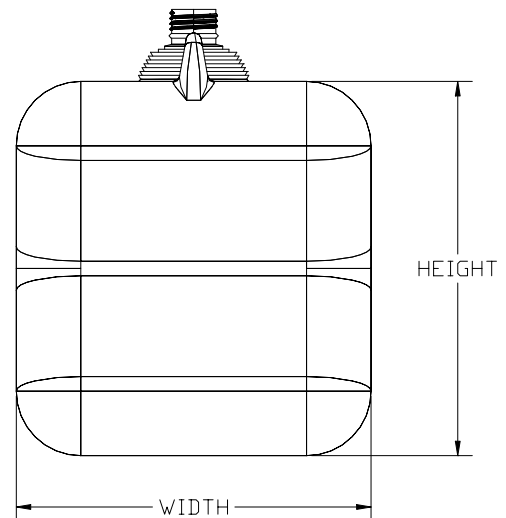
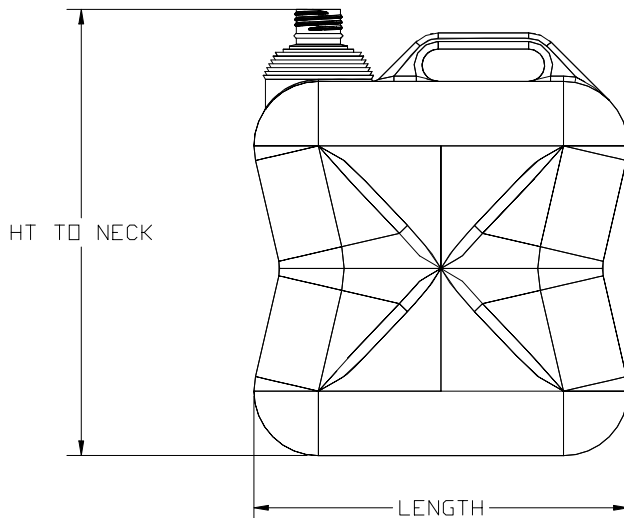
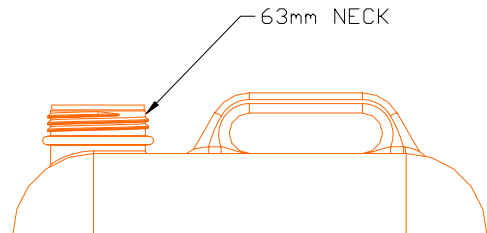
PERFORMANCE SPECIFICATIONS

- No objection status for food contact applications from the Health Protection Branch in Canada and compliance for use in food contact applications by the Food and Drug Administration in the United States.
- *UN Classification for transportation of Group II or Group III liquid fill dangerous goods when used in conjunction with the 63mm neck finish and the specified carton and cap. Classification is good for land and sea transport. Compatibility of fill product with container is the responsibility of the filler. See sales specification SS-UN-015 for more information.*

DIMENSIONS

Capacity	Rated	20L	Overflow (to top of neck, no carton)	22.5L minimum
Weight	Container Only	300.0g ± 10.0g	Minimum Wall Thickness	0.010"
Dimensions of Cube	Length x Width x Height	11.8" x 9.8" x 13.13"	Height to neck (38mm)	15.25"

Container shown with 38mm pop-out neck.
63mm neck shown at inset.



Approved By Leah Friesen

SPECIAL FEATURES

- Neck Finishes 63mm neck designed for *Poly-Tote* Cap or 38mm “Pop-out” neck designed for SP 430 caps.
- Folding The unique folding design eliminates the need to unfold containers before they are filled. It will simply “pop up” when removed from its bulk shipper carton.
- Pouring Minimal glugging during pouring. The container will collapse as it empties.
- Handle An optional handle is moulded directly into container, creating a strong handgrip for maneuvering and carrying.
- Outer Carton Reliance Products L.P. can provide you with stock cartons to fit this collapsible. The cartons are shipped to you collapsed to save transportation costs and are easily erected at your facility.

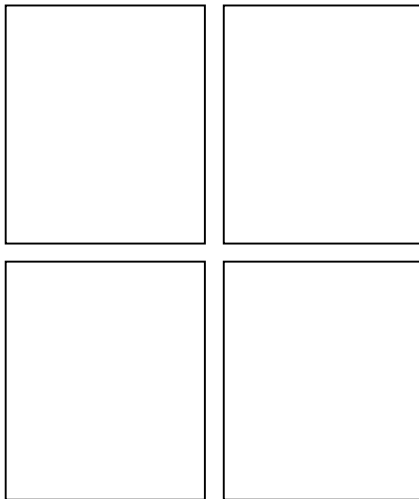
FILLING AND STACKING RECOMMENDATIONS

- Compatibility of the container with the fill product is the responsibility of the filler.
- Fill with container in carton.
- Contents should not exceed 70°C (158°F) at time of fill.
- Filled containers should not be stacked and stored above 50°C (122°F).
- Filled containers, in double wall cartons, may be stacked 5 high for most commodities.

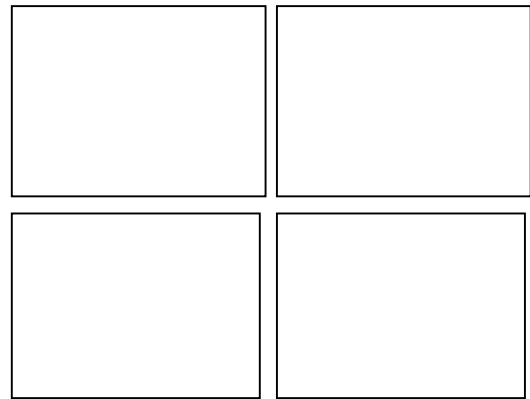
PACKAGING AND SHIPPING DATA

<p>Quantity Per Carton</p> <p>Cartons Per Pallet</p> <p>Packaged Carton Weight</p> <p>Carton Dimensions (L x W x H)</p> <p>Carton Volume (Cubic Feet)</p>	<p><u>Bulk</u></p> <p>50 pieces</p> <p>8</p> <p>32.89 lbs.</p> <p>23.75” x 19.75” x 33.75”</p> <p>9.16</p>
--	---

Palletized cartons are secured with stretch wrap.



Top View of Pallet



Side View of Pallet

WARRANTY

Reliance Products L.P. warrants product to meet the above specifications and to be free from defect in workmanship and materials at time of shipment. Liability is limited to the replacement cost of the containers purchased.

PRODUCT RANGE

Reliance Products L.P. has many decades of experience manufacturing a wide range of both injection and blow moulded plastic shipping containers, including:

Bottles	1L to 23L	Tighthead Containers	10L to 23L
Pails	4L to 23L	Collapsible Containers	10L to 25L

Call us for all of your related packaging needs